

# **ADITYA AUTOMOTIVE INC.(INDIA)**

---

**AN ISO 9001:2015 & IATF 16949:2016 CERTIFIED**

**GASKETS MANUFACTURING COMPANY**

**SINCE 1993**

**THE COMPANY PROFILE**

# **ADITYA AUTOMOTIVE INC.(INDIA)**

---

## **INTRODUCTION**

Our organization was incepted in the year 1993 with an objective of manufacturing and exporting best quality Automotive Gaskets, Cylinder Head Gaskets, Exhaust Manifold Gaskets, Industrial Gaskets, Graphite Gaskets, Spiral Wound Gaskets, Wire/mesh Gaskets, Sintered Gaskets, Flange Gaskets, Sheet Metal Gaskets and Gaskets as per drawing.

# COMPANY OVERVIEW

---

Aditya Automotive Inc. (India) has four units located in New Delhi and each unit is dedicated to manufacture various type of Gaskets. First Unit is manufacturing Automotive Gaskets, Second Unit Manufacturing Spiral Wound Gaskets for Automotive and Industrial Applications, Third Unit Manufacturing Wire-Mesh Gaskets for Automotive and Industrial Applications & Fourth Unit is Manufacturing Rubber Parts For Automotive and Industrial Applications.

# PRODUCT CATALOGUE

---

## PRODUCT CATEGORIES

1. AUTOMOTIVE GASKETS
2. INDUSTRIAL GASKETS
3. GRAPHITE SHEETS & ROLLS

# PRODUCT CATEGORIES

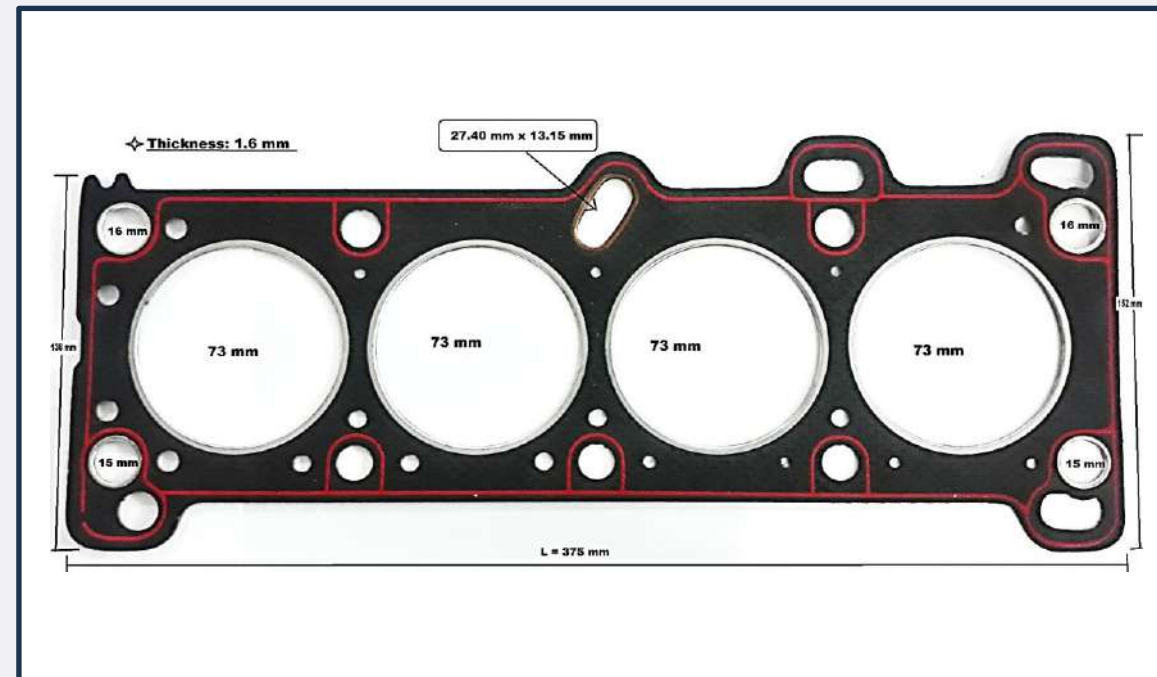
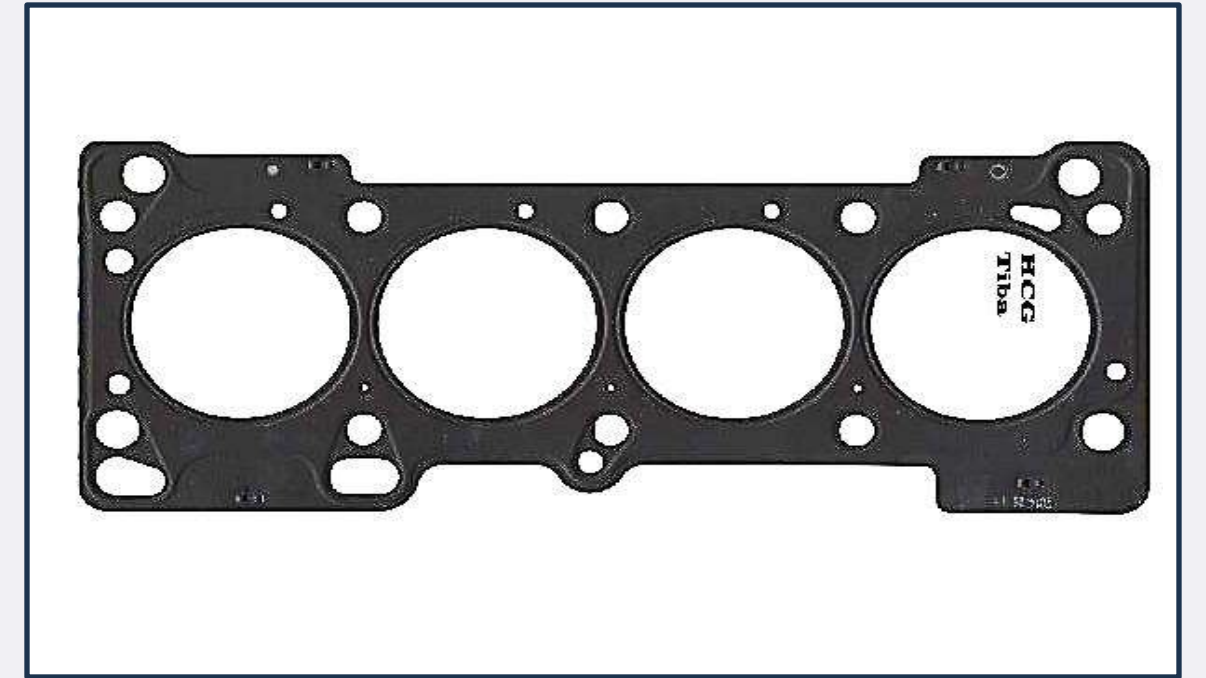
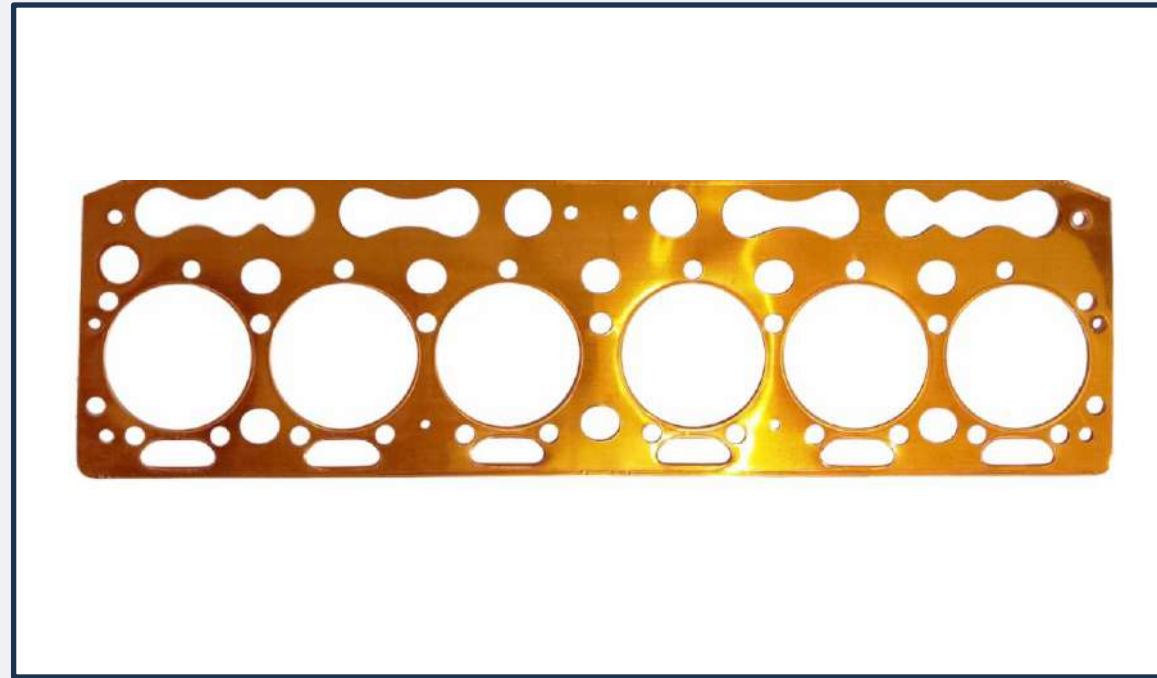
---

## PRODUCT SUB-CATEGORIES

- ❖ DPF & DOC FILTER GASKETS
- ❖ FLANGE GASKETS FOR RECDs
- ❖ CYLINDER HEAD GASKETS
- ❖ EXHAUST GASKETS
- ❖ EXHAUST MANIFOLD GASKETS
- ❖ WIRE MESH GASKETS
- ❖ SPIRAL WOUND GASKETS
- ❖ SHEET-METAL GASKETS
- ❖ FLANGE GASKETS
- ❖ GRAPHITE GASKETS
- ❖ SINTERED GASKETS
- ❖ EXHAUST CLAMPS
- ❖ PIPE CONNECTORS
- ❖ RUBBER HANGERS
- ❖ MANIFOLD GASKETS
- ❖ OIL PAN GASKETS
- ❖ ENGINE GASKET-KIT
- ❖ GASKETS AS PER DRAWING

# PRODUCTS RANGE

## CYLINDER HEAD GASKETS



# PRODUCTS RANGE

**A**DITYA  
AUTOMOTIVE

## DPF & DOC FILTER GASKETS

OEM : 21212522



OEM : 2871453



OEM : 2871451



OEM : 2871452



OEM : 21371339



OEM : 21371340



OEM : 2880215



OEM : 2866636



# PRODUCTS RANGE

**A**DITYA  
AUTOMOTIVE

## DPF & DOC FILTER GASKETS

OEM : 2880214



OEM : 2871772



OEM : MIU802749



OEM : 897611092



OEM : 5304868



OEM : 21095721



OEM : 23075959



OEM : 1J770-18410



# PRODUCTS RANGE

**A**DITYA  
AUTOMOTIVE

## DPF & DOC FILTER GASKETS

OEM : 17451-E0060



OEM : 17173-E0090



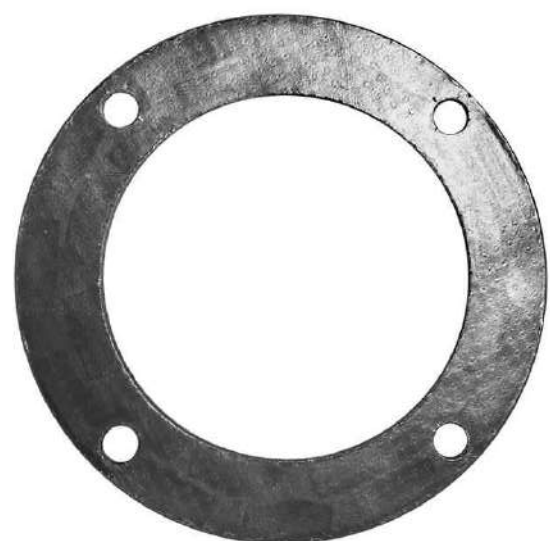
OEM : 8980771940



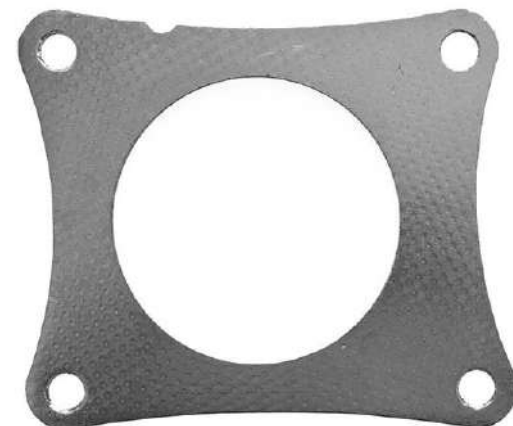
OEM : 68379574AA



OEM : 59940002



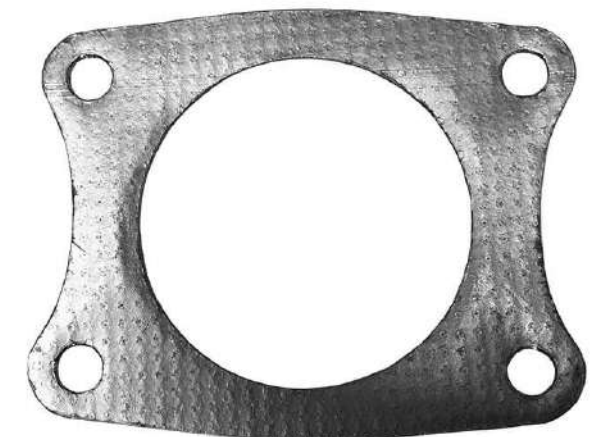
OEM : 68065844AB



OEM : 1J500-18412



OEM : 15126137



# PRODUCTS RANGE

**A**DITYA  
AUTOMOTIVE

## FLANGE GASKETS FOR RECDs

2½ "



3"



3 ½"



4 "



5 "



6"



8"

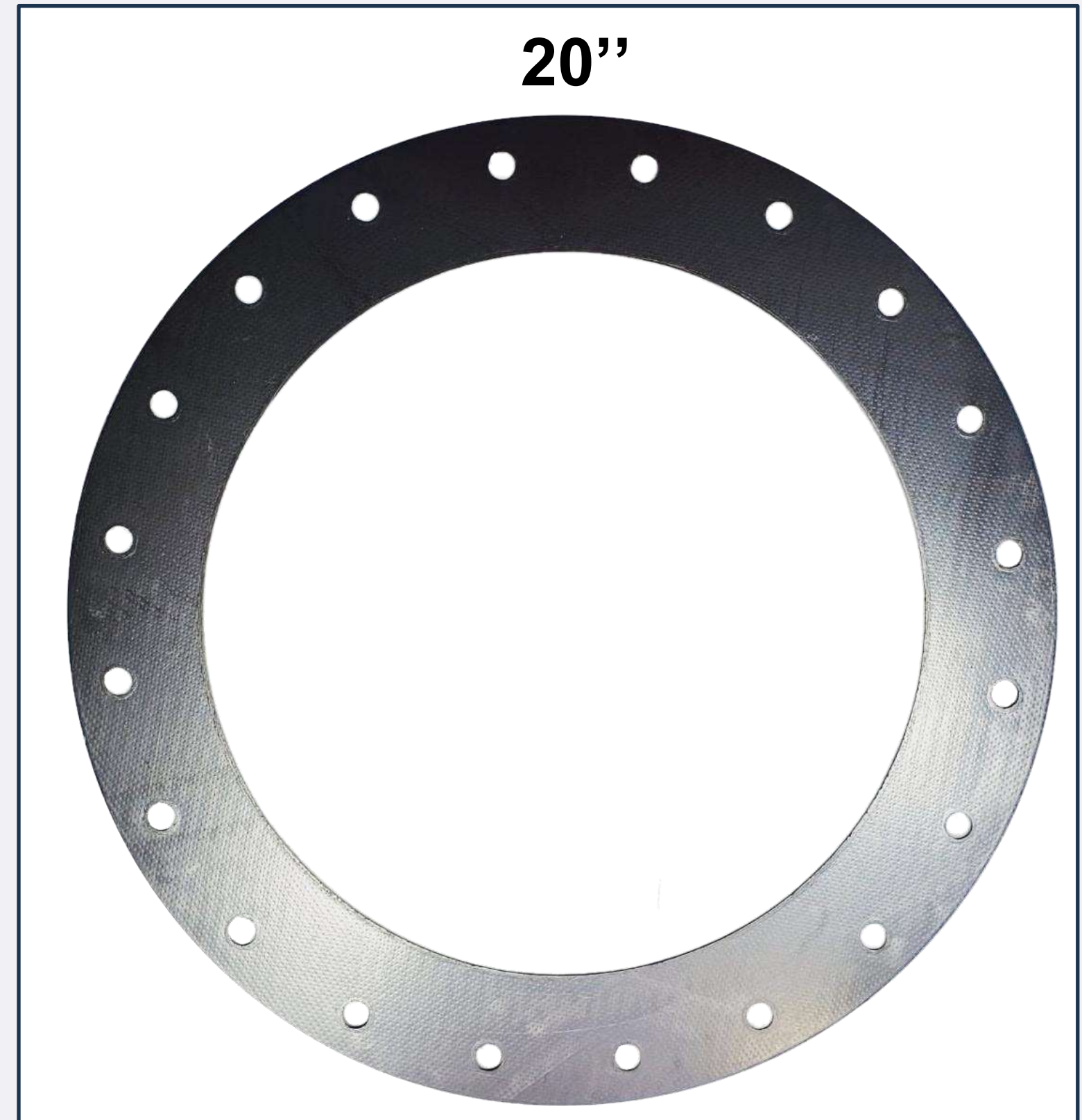
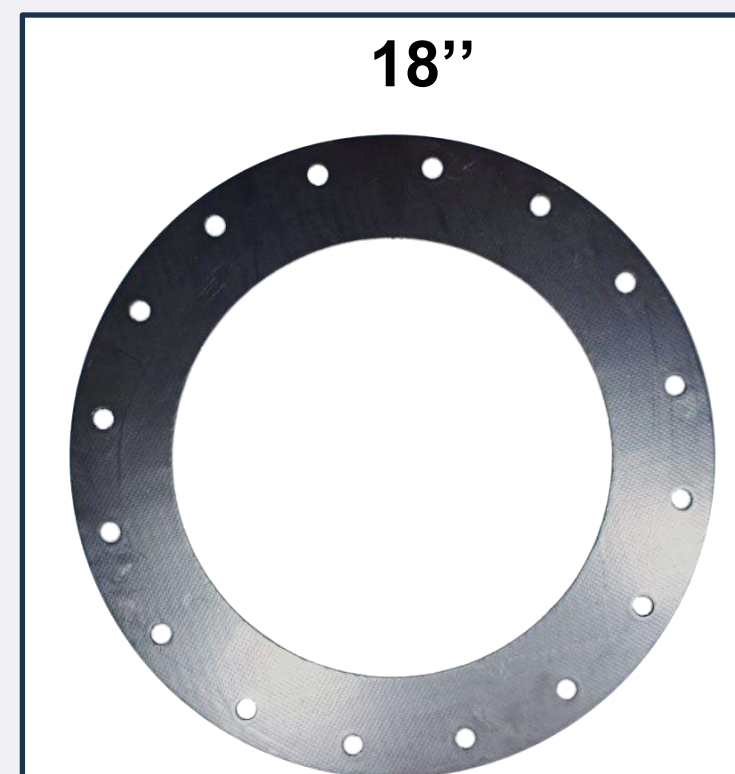
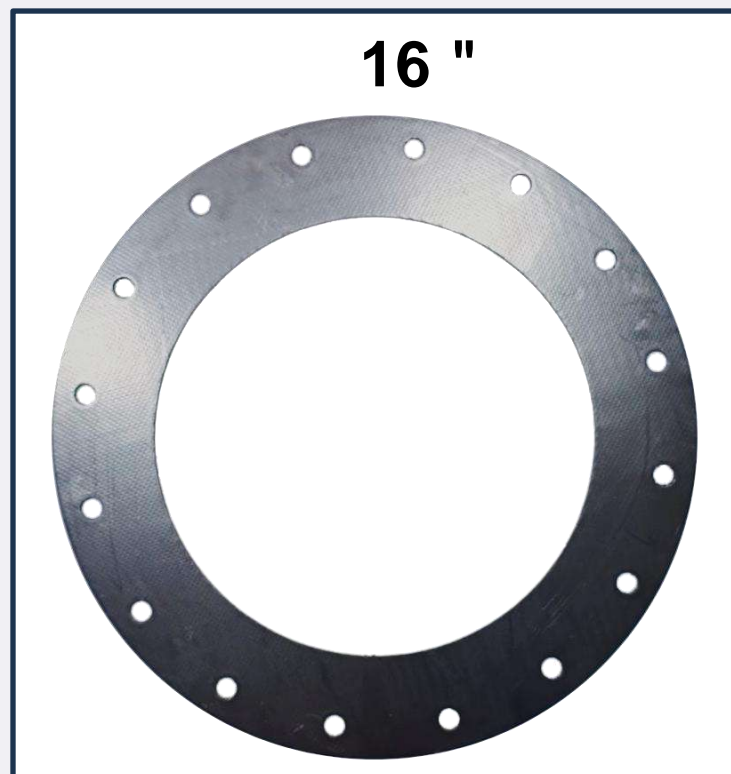
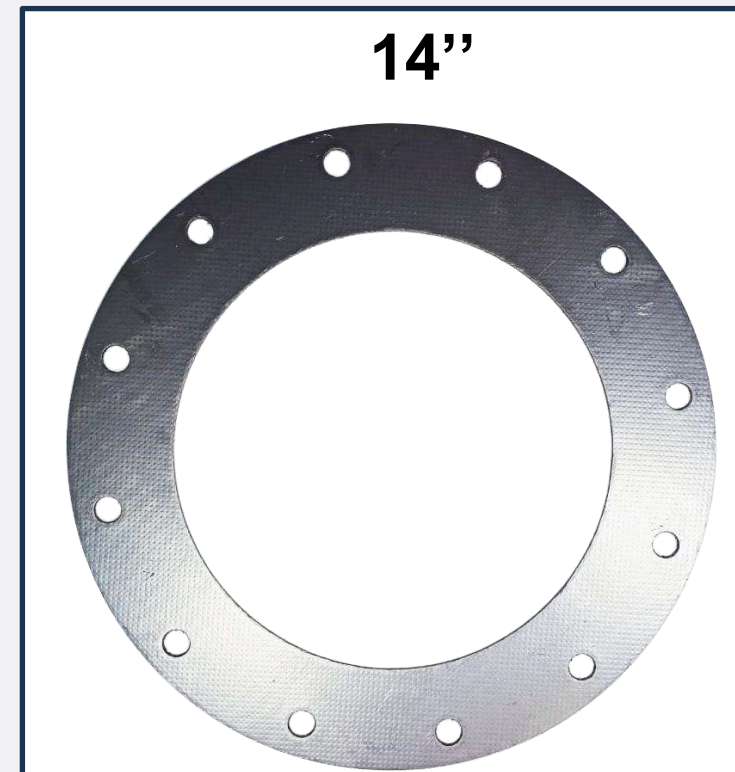
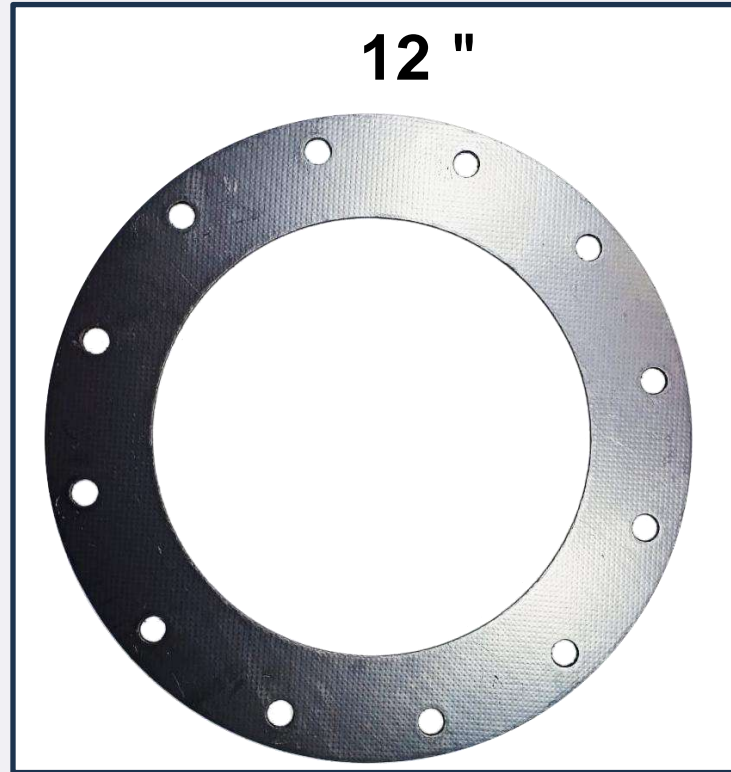


10 "



# PRODUCTS RANGE

## FLANGE GASKETS FOR RECDs



# PRODUCTS RANGE

**A**DITYA  
AUTOMOTIVE

## GRAPHITE GASKETS

OEM : 2880214



OEM : 2871772



OEM : 5304868



OEM : 21095721



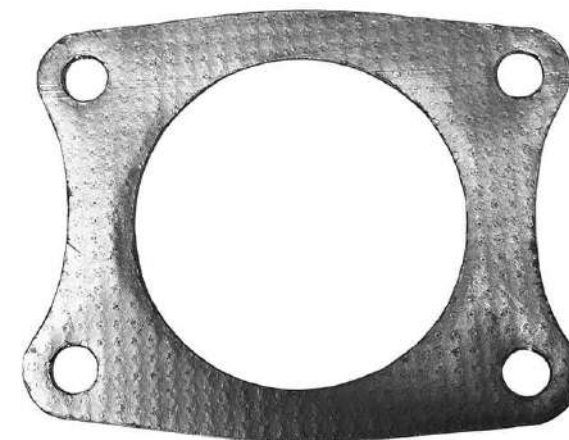
OEM : 23075959



OEM : 59940002



OEM : 15126137



ADI-1152



# PRODUCTS RANGE

**A**DITYA  
AUTOMOTIVE

## GRAPHITE GASKETS

OEM : 21212522



OEM : 2871453



OEM : 2871451



OEM : 2871452



OEM : 21371339



OEM : 21371340



OEM : 2880215

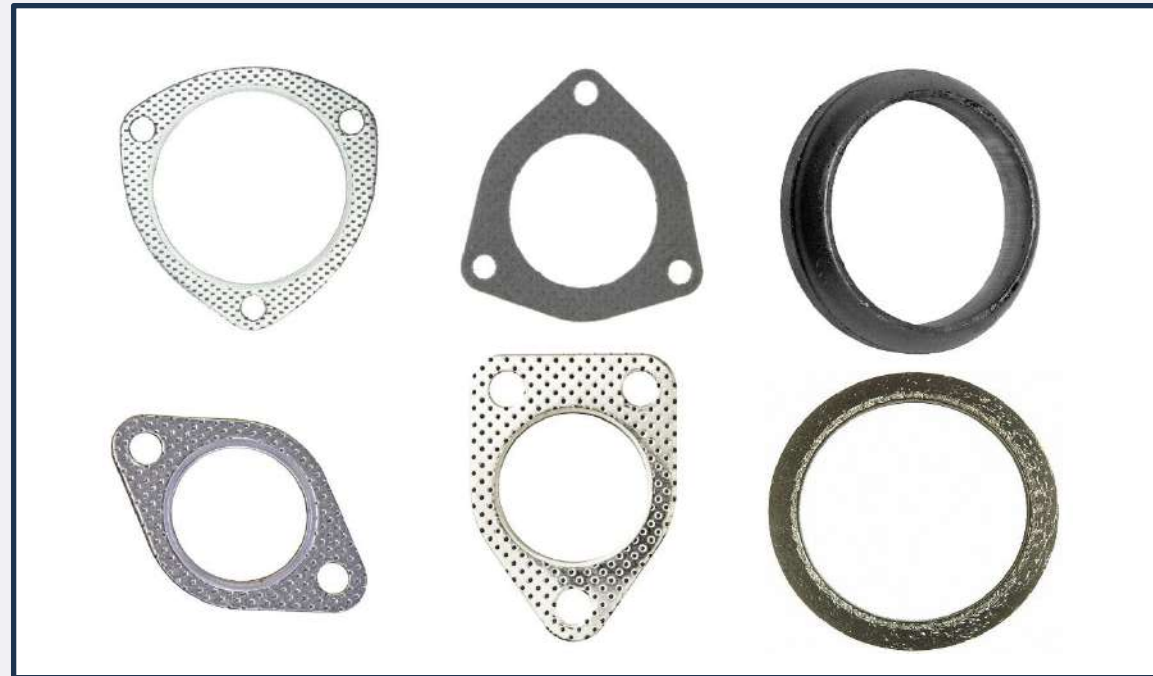


OEM : 2866636

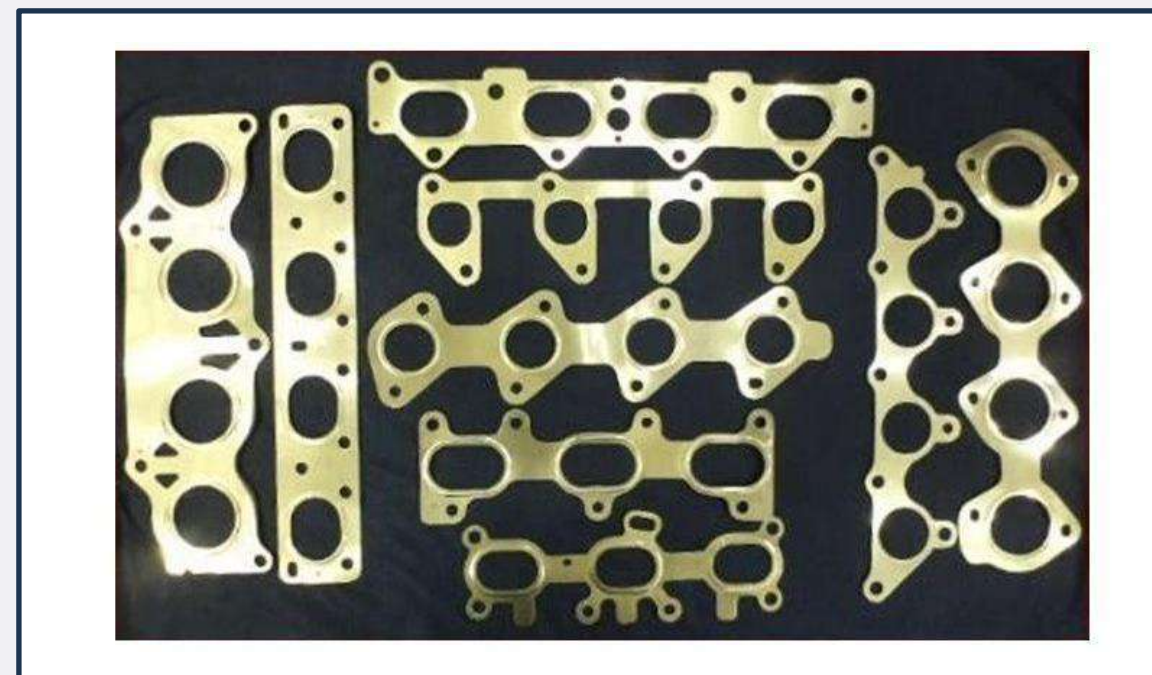
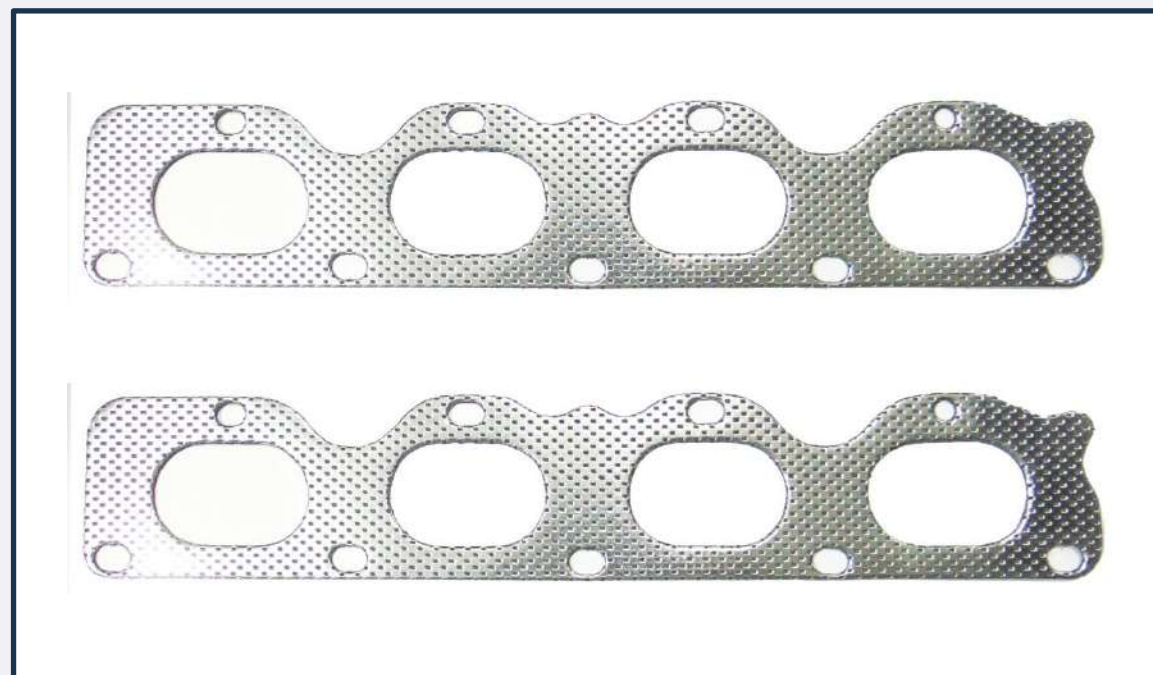


# PRODUCTS RANGE

## EXHAUST GASKETS



## EXHAUST MANIFOLD GASKETS



## MANIFOLD HEAT SHIELDS



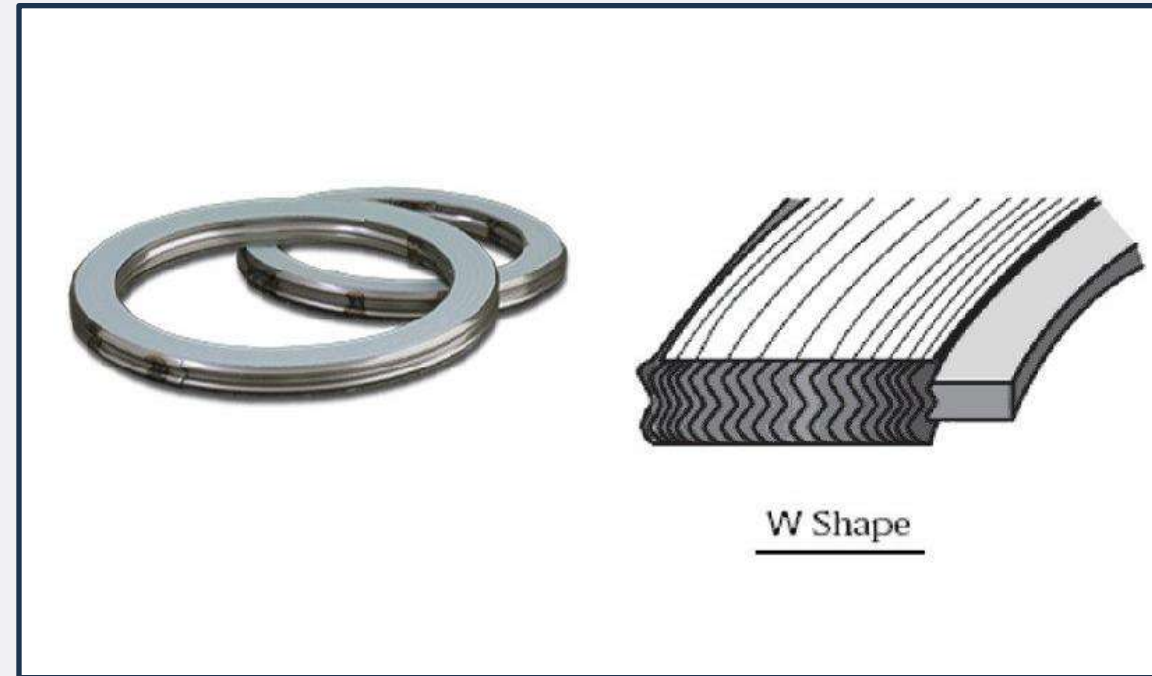
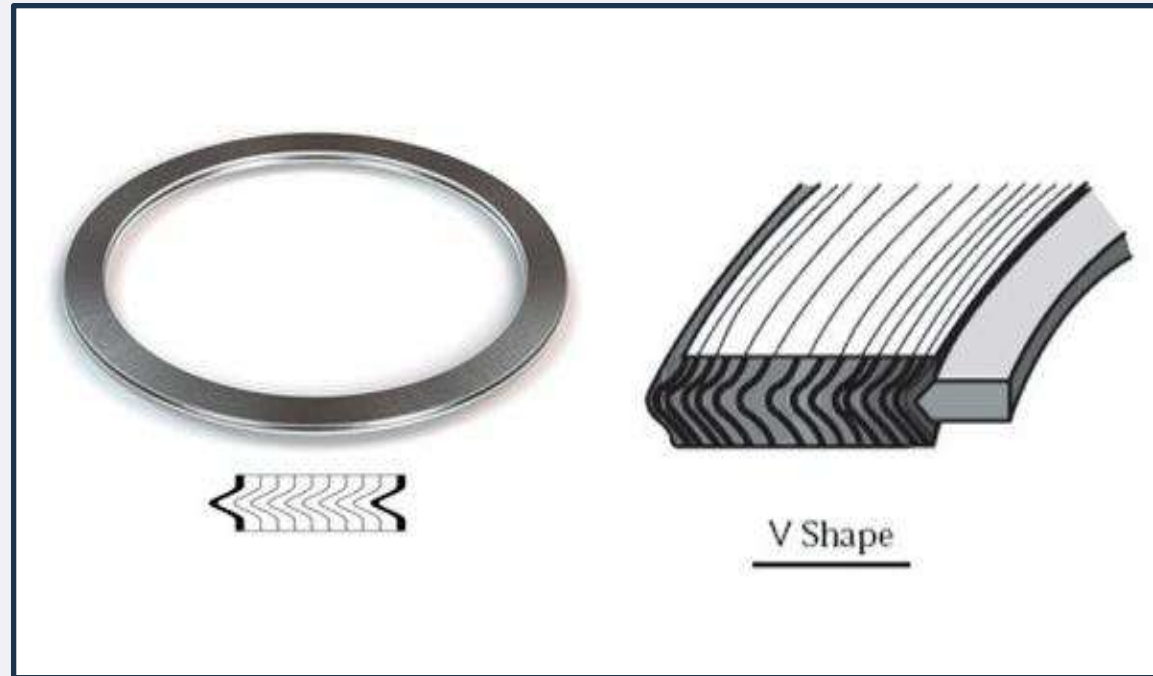
# PRODUCTS RANGE

## WIREMESH GASKETS



# PRODUCTS RANGE

## SPIRAL WOUND GASKETS



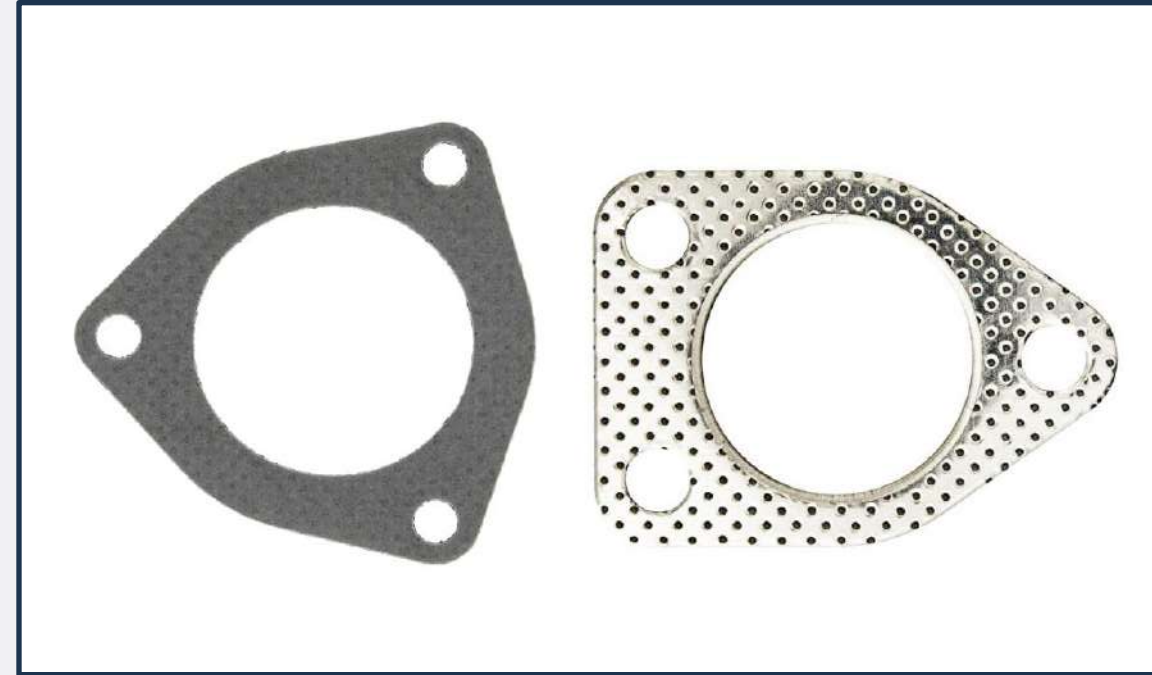
## SHEET METAL GASKETS



# PRODUCTS RANGE

**A**DITYA  
AUTOMOTIVE

## FLANGE GASKETS



## SINTERED GASKETS



# PRODUCTS RANGE

**A**DITYA  
AUTOMOTIVE

## EXHAUST CLAMPS

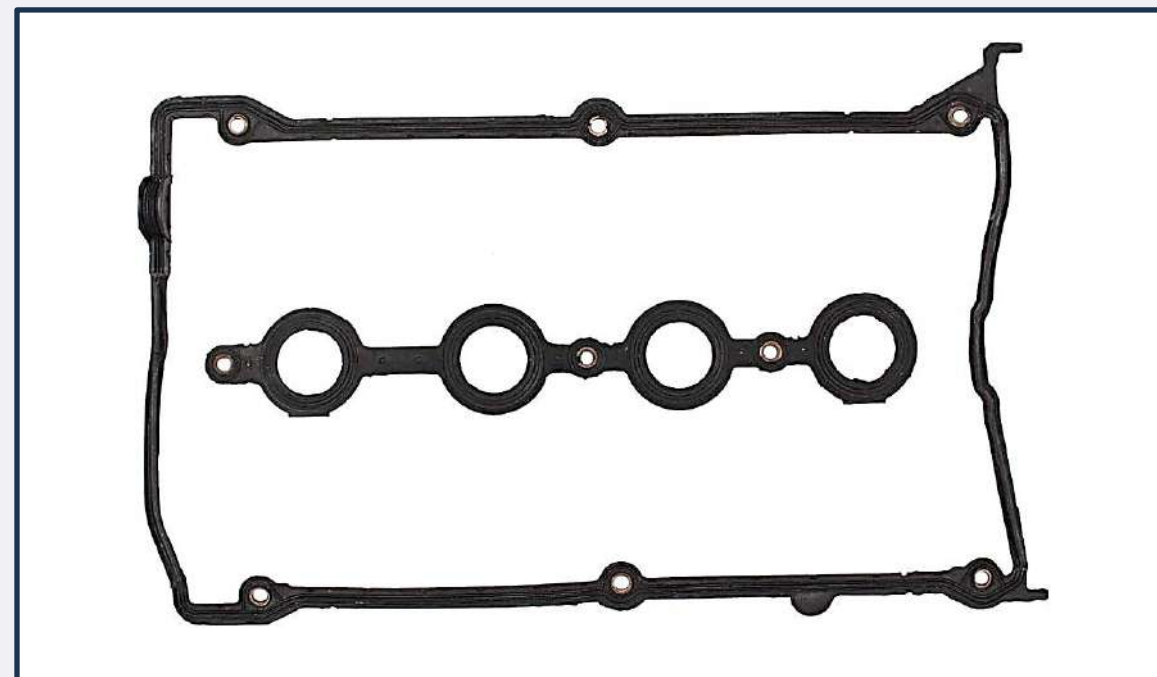


## PIPE CONNECTORS



# PRODUCTS RANGE

## RUBBER PARTS



## RUBBER HANGERS



# RUBBER HANGERS

ALFA  
ROMEO



AUDI



BMW



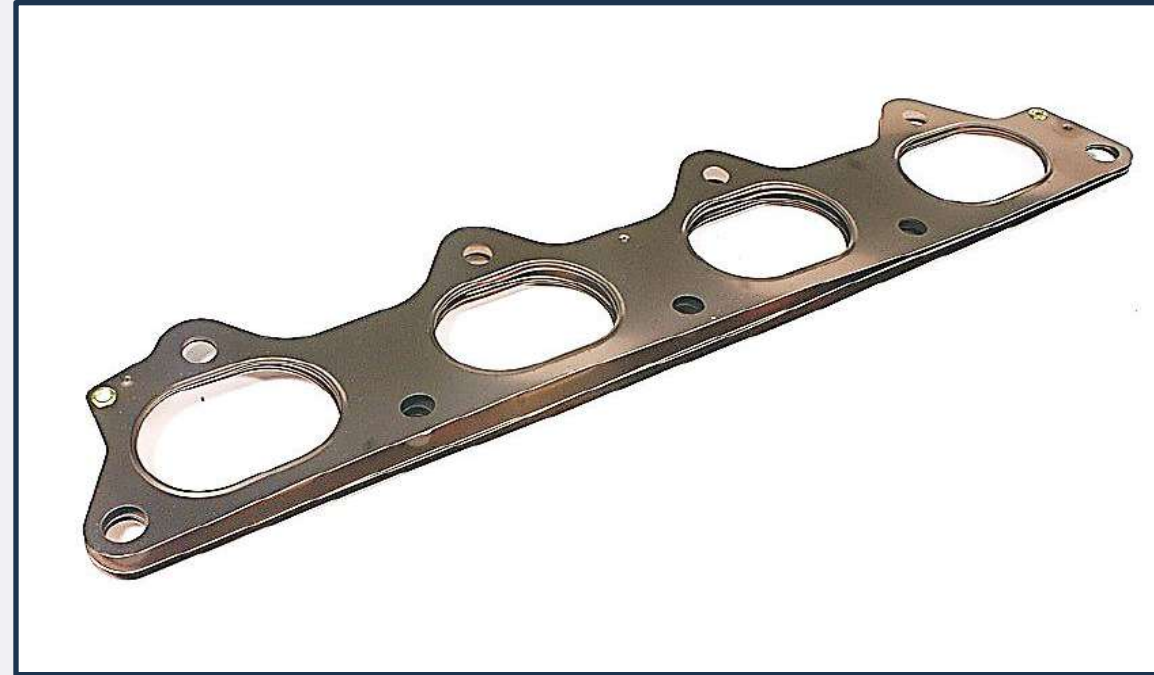
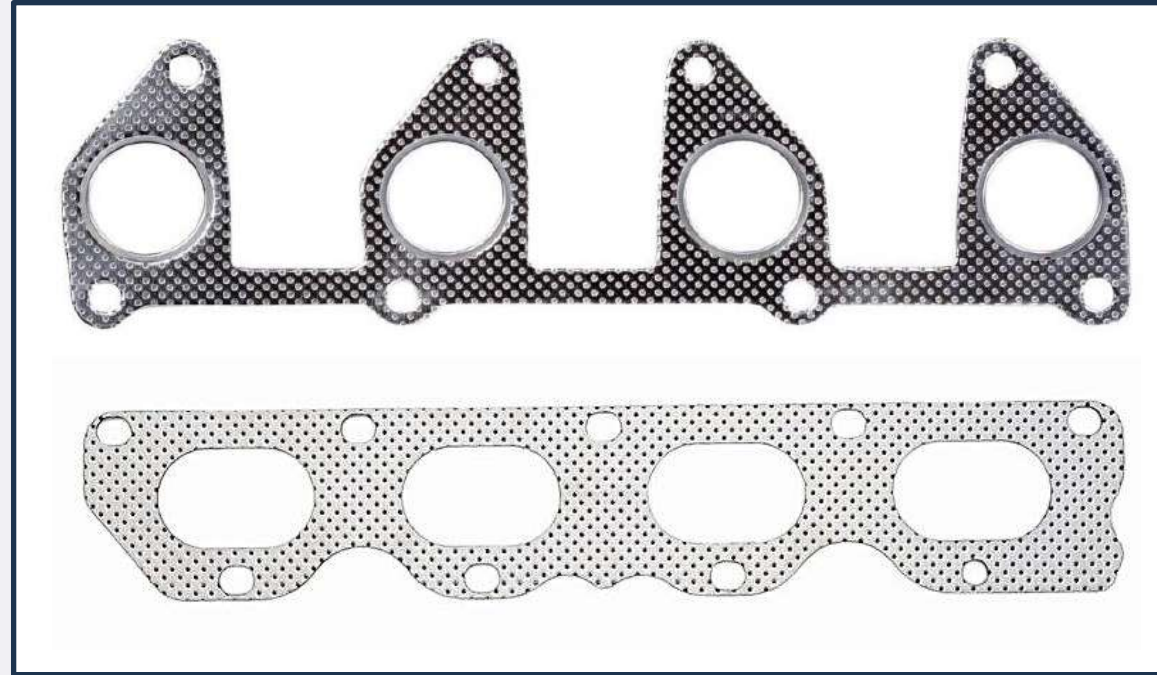
FIAT



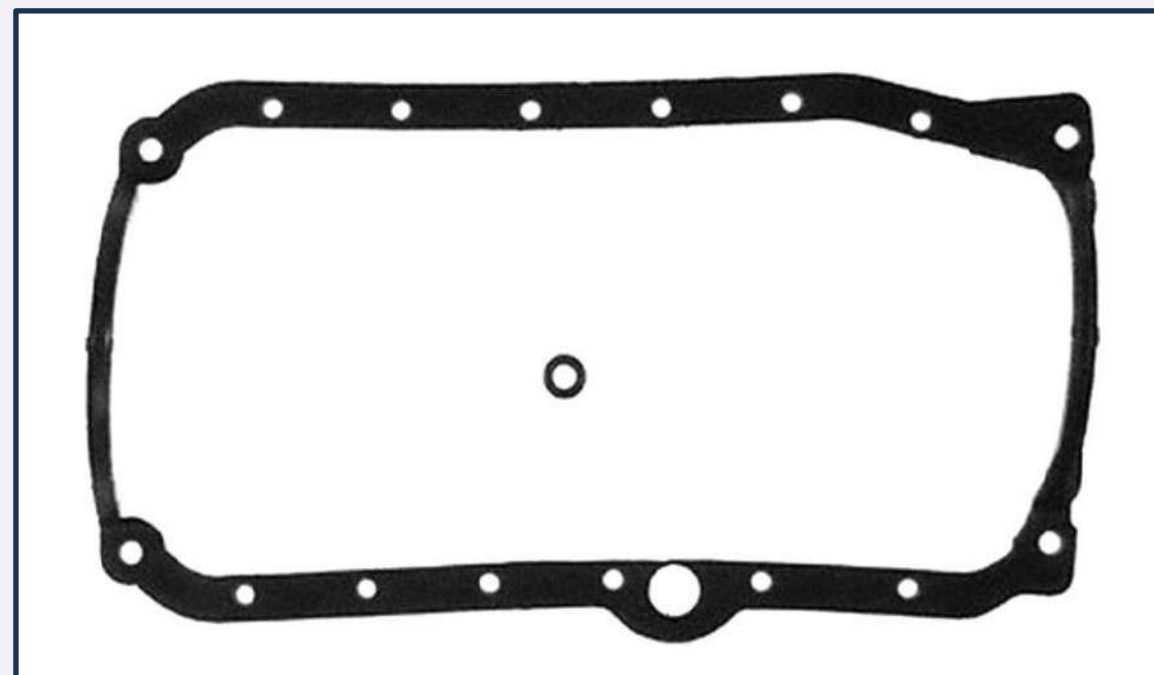
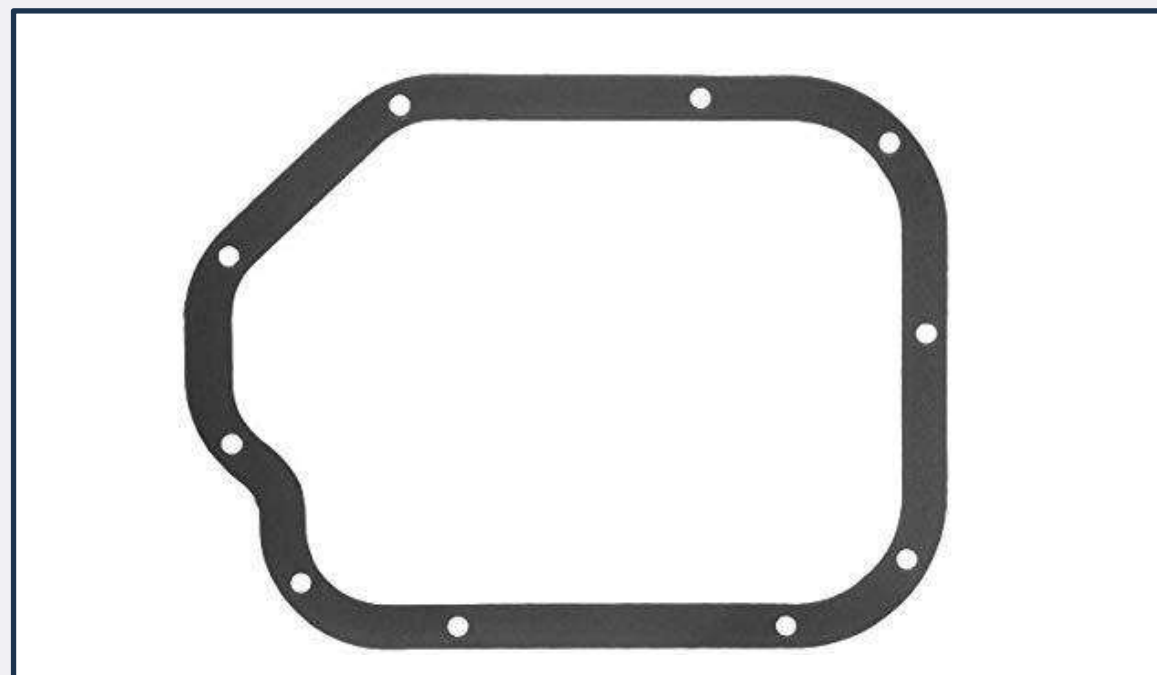
# PRODUCTS RANGE

**A**DITYA  
AUTOMOTIVE

## MANIFOLD GASKETS

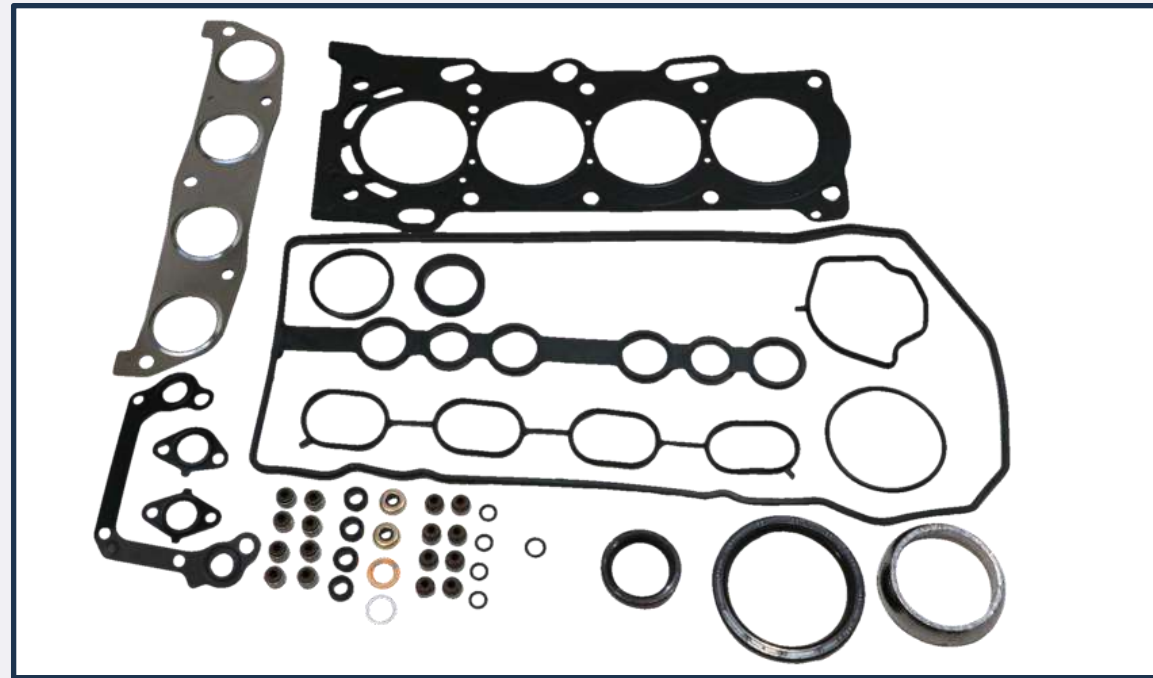


## OIL PAN GASKETS

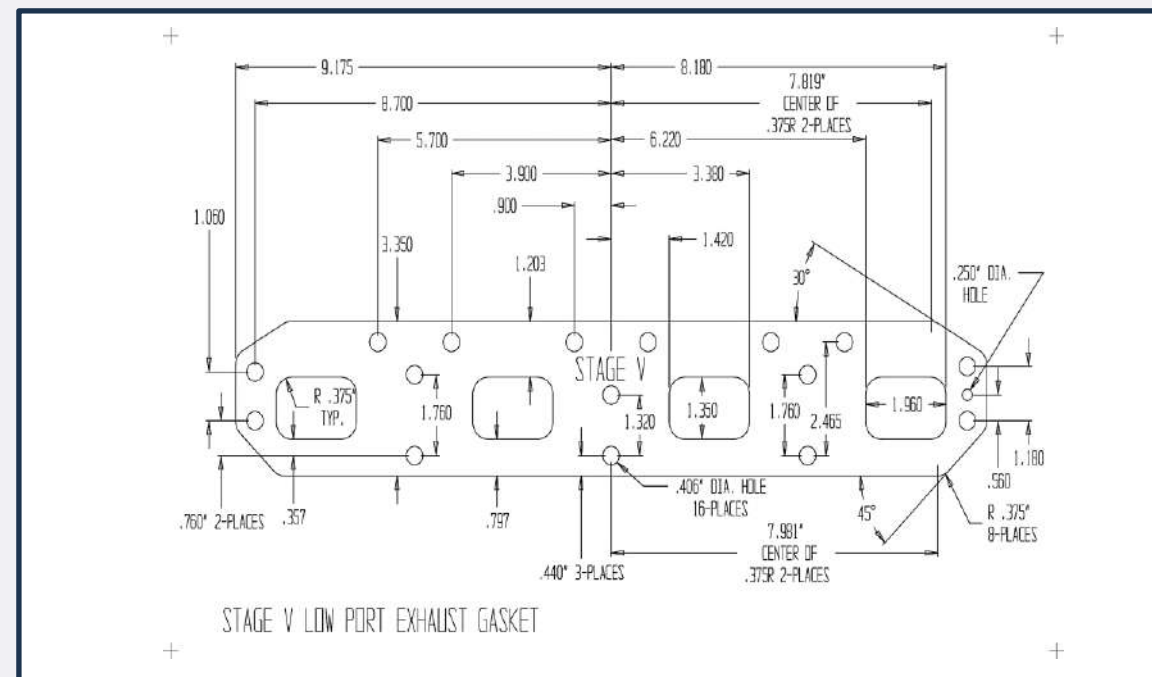
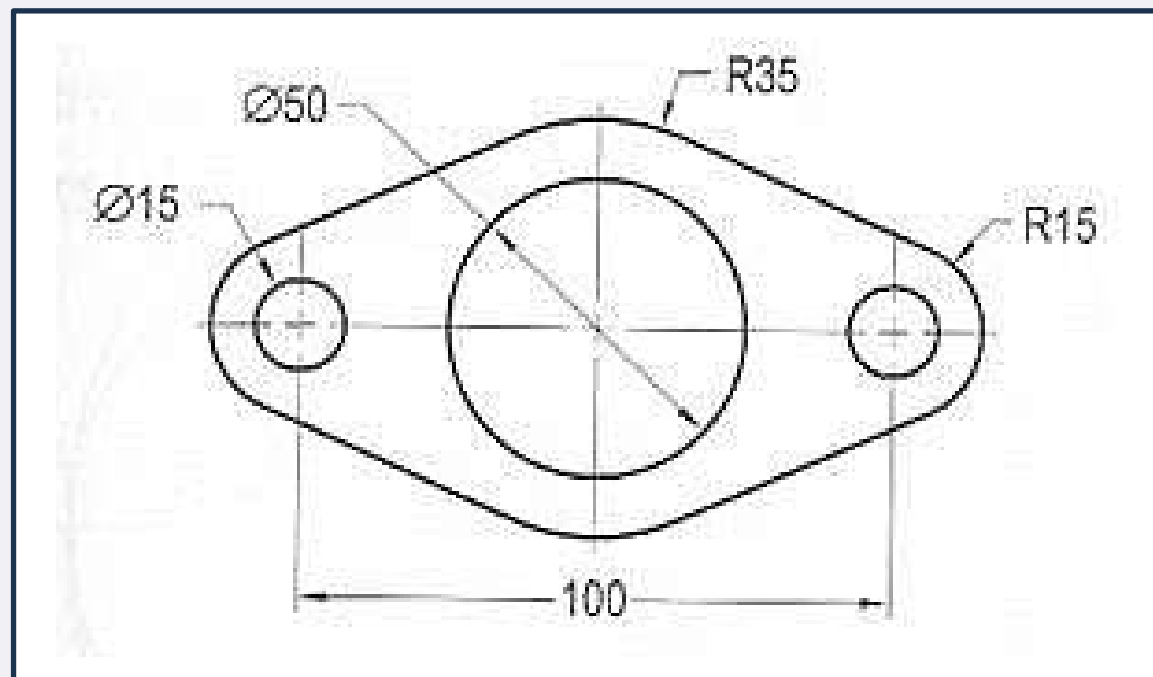


# PRODUCTS RANGE


## ENGINE GASKET-KIT



## GASKETS AS PER DRAWING



# COMPANY CERTIFICATES



## Certificate

This is to Certify that


**Aditya Automotive Inc. (India)**

A - 46 Kh No. - 60/6, Naresh Park  
Extn., Nangloi, Delhi - 110041, India

has been found in Compliance with requirements of  
**Quality Management System**  
**ISO 9001:2015**  
for the following scope:

**Manufacturer & Exporter of Sheet Metal Components, Gaskets like Spiral Wound Gaskets, Wire Mesh Gaskets, Exhaust Gaskets, DPF Gaskets, DPF Wire Mesh, Cylinder Head Gaskets & Rubber Parts Including 'O' Rings, Oil Seals, Rubber Gaskets and Metal Bonded Rubber Parts**






Certificate No. : QMS/07281/0718  
Original Certificate Date: 17-July-2018  
Issue Date : 16-July-2024  
Expiry Date : 15-July-2027



Authorized Signature

**Quality Control Certification**  
UK Office: 82, ADLEY STREET,  
LONDON - E5 0DZ, United Kingdom  
India Office: 2nd Floor, Aman Market,  
Narela Mandi, Delhi - 110 040, India

To check this certificate status visit:  
"<http://uasl.uk.com/certifiedorganization>"



"Quality Control Certification (QCC)" accredited by "UASL, England, UK". This certificate remains the property of "QCC" to whom it must be returned on request.



## Certificate

This is to certify that

**Aditya Automotive Inc. (India)**

A - 46 Kh No. - 60/6, Naresh Park  
Extn., Nangloi, Delhi - 110041, India

has implemented in accordance with  
**Automotive Quality Management System**  
**IATF 16949:2016**  
for the following scope:

**Manufacturer & Exporter of Sheet Metal Components, Gaskets Like Spiral Wound Gaskets, Wire Mesh Gaskets, Exhaust Gaskets, DPF Gaskets, DPF Wire Mesh, Cylinder Head Gaskets & Rubber Parts Including 'O' rings, Oil Seals, Rubber Gaskets and Metal Bonded Rubber Parts**

Certificate No. : LCL/CD34/0724  
Initial Certificate Date : 31-July-2024  
Current Issue Date : 31-July-2024  
1st Surveillance Date : 30-July-2025  
2nd Surveillance Date : 29-July-2026  
Expiry Date : 30-July-2027



To check this certificate status visit:  
"<https://uasl.uk.com/certifiedorganization>"



Bob Kelly (CEO), Authorized Signature

**LONDON CERT LTD.**  
82, ADLEY STREET, LONDON E50DZ, UK  
[www.LondonCert.co.uk](http://www.LondonCert.co.uk)

London Cert Ltd. (LCL) accredited by UASL, UK. This certificate doesn't provide the organisation with immunity from its legal obligations. This certificate remains the property of LCL to whom it must be returned on request.

# OUR CLIENTS



# QUALITY POLICY

We are driven by our quality objectives that are:

Regular verification for compliance of International quality management system ISO 9001 : 2015 through audits.

ISO 9001:2015 specifies requirements for a quality management system when an organization needs to demonstrate its ability to consistently provide products and services that meet customer and applicable statutory and regulatory requirements  
Ensure timely delivery to the customers.

To use the resources in such a way that cost competitiveness can be achieved.

And To establish quality culture through employee training.



# OUR VISION

---

- ❖ HIGH QUALITY AND SATISFACTORY WORK
- ❖ HIGHLY SKILLED AND MOTIVATED EMPLOYEES TEAM
- ❖ TOTAL CUSTOMER SATISFACTION
- ❖ CONSTANT RESPECT FOR SOCIETY
- ❖ CONTINUAL IMPROVEMENT

# CONTACT US

---

## ADITYA AUTOMOTIVE INC. (INDIA)

**Contact :** 9560810101, 9560303501

**E-mail :** info@adityaautomotiveinc-india.com,  
sales@adityaautomotiveinc-india.com

**Address :** A-46, KHASRA NO-60/6, NARESH PARK EXTENSION  
NANGLOI, DELHI-110041

**Website :** [www.adityaautomotiveinc-india.com](http://www.adityaautomotiveinc-india.com)

# THANK YOU